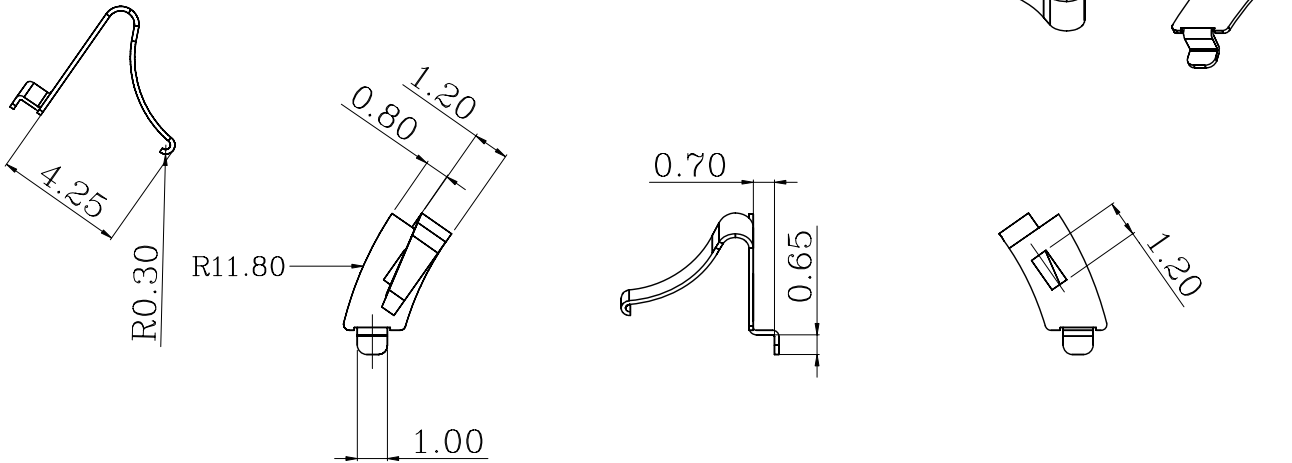




01L Terminal battery shrapnel Connector

Ordering Information

Part No.	Material	Wire Range	Insulation	O.D.	Plated	Q'ty/Reel	Remark
J01LRL-00BA-0	Beryllium Copper Alloy				Tin Plated	8000pcs	
Tolerance:(unit:mm)		.*±0.25 /.**±0.15 /.**±0.10					



01R Terminal battery shrapnel Connector

Ordering Information

Part No.	Material	Wire Range	Insulation	O.D.	Plated	Q'ty/Reel	Remark
J01RRL-00BA-0	Beryllium Copper Alloy				Tin Plated	8000pcs	
Tolerance:(unit:mm)		.*±0.25 /.**±0.15 /.**±0.10					

