



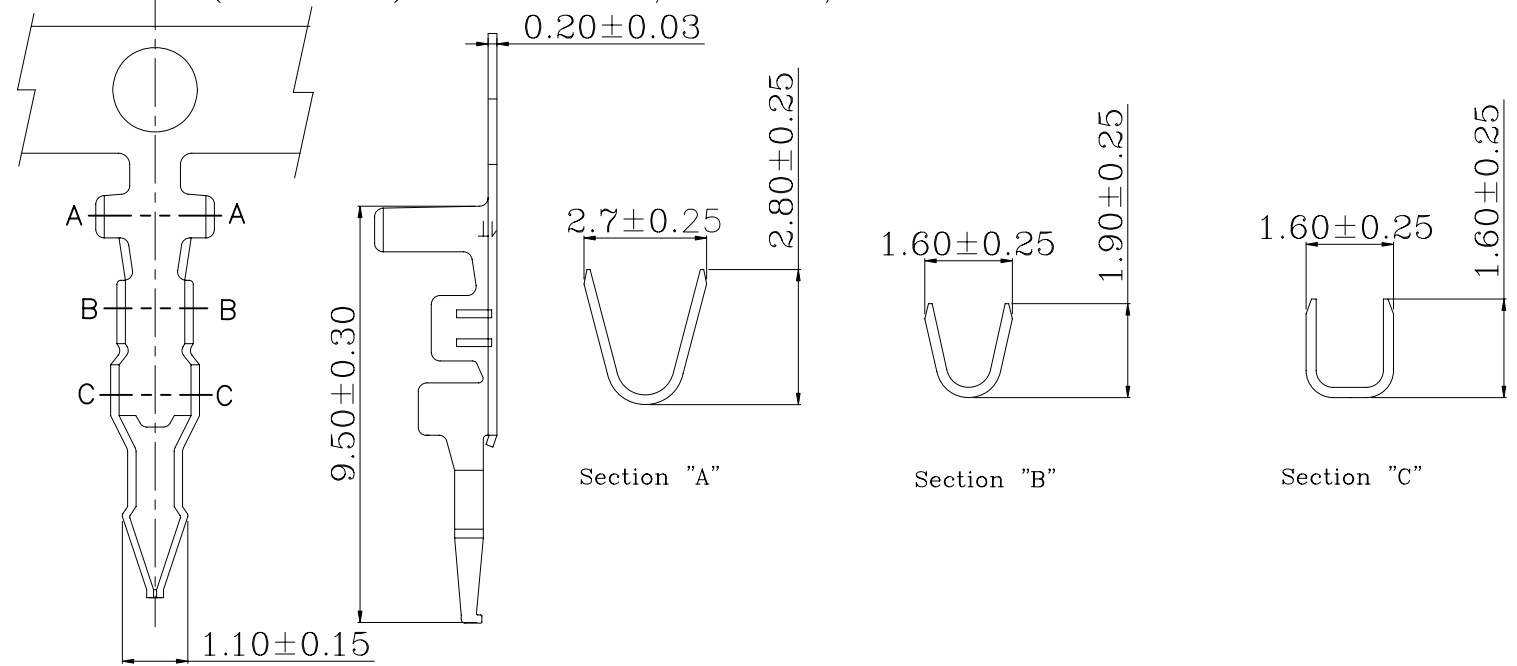
1019 Terminal board-In Connector

Ordering Information

Part No.	Material	Wire Range	Insulation O.D.	Plated	Q'ty/Reel	Remark
J1019BS-2B	Brass	AWG#20~28	1.80mm max	Tin Plated	10000pcs	
J1019PS-2B	Phosphor Bronze	AWG#20~28	1.80mm max	Tin Plated	10000pcs	

Tolerance:(unit:mm)

. *±0.25 / . **±0.15 / . ***±0.10



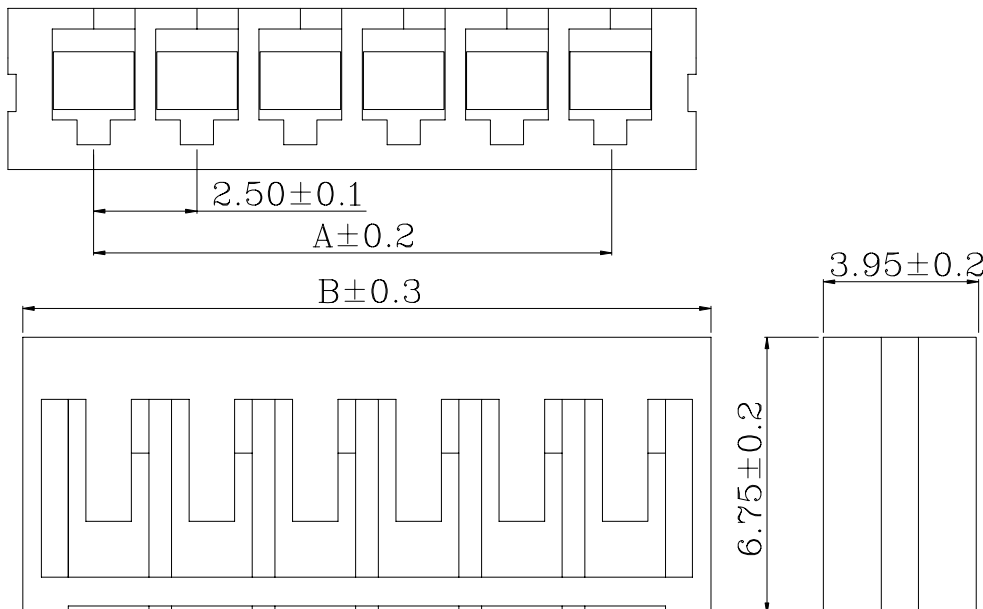
1019 Series Connector

Tolerance:(unit:mm)

Material:NYLON 66 UL 94V-2

* ±0.25
 ** ±0.15
 *** ±0.10

Part NO:JP1019V0-XR



Part NO.	Dimensions		Q'ty/Reel (pcs)
	A	B	
2	2.50	5.90	1000pcs
3	5.00	8.40	1000pcs
4	7.50	10.90	1000pcs
5	10.00	13.40	1000pcs
6	12.50	15.90	1000pcs
7	15.00	18.40	500pcs
8	17.50	20.90	500pcs
9	20.00	23.40	500pcs
A	22.50	25.90	500pcs
B	25.00	28.40	500pcs
C	27.50	30.90	500pcs
D	30.00	33.40	500pcs
E	32.50	35.90	500pcs
F	35.00	38.40	500pcs
G	37.50	40.90	500pcs