

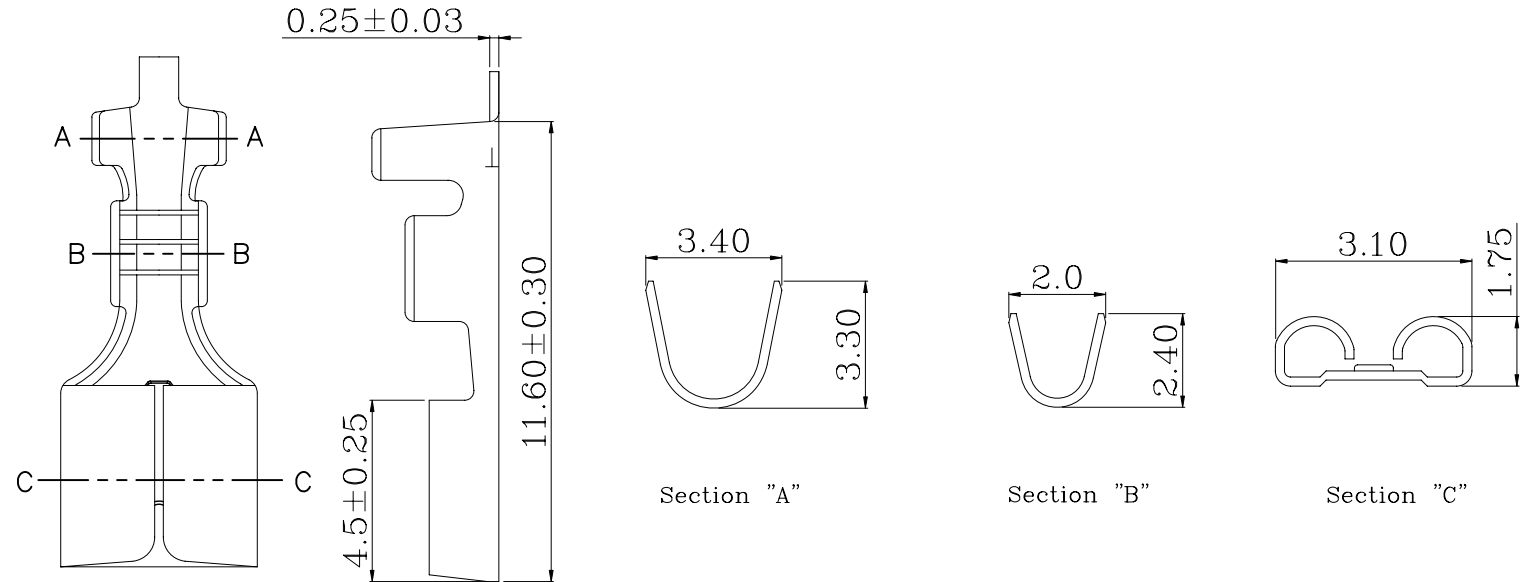


# 1725 Terminal board-In Connector

## Ordering Information

Part No.	Material	Wire Range	Insulation O.D.	Plated	Q'ty/Reel	Remark
J1725BS-2	Brass	AWG#18~24	2.80mm max	Tin Plated	8000pcs	

Tolerance:(unit:mm)     . $\pm 0.25$  / . $\pm 0.15$  / . $\pm 0.10$



# 1424 Ring Tongue Terminal

## Ordering Information

Part No.	Material	Wire Range	Insulation O.D.	Plated	Q'ty/Reel	Remark
J1424BS-2N	Brass	AWG#20~26	2.00mm max	Tin Plated	8000pcs	

Tolerance:(unit:mm)     . $\pm 0.25$  / . $\pm 0.15$  / . $\pm 0.10$

