

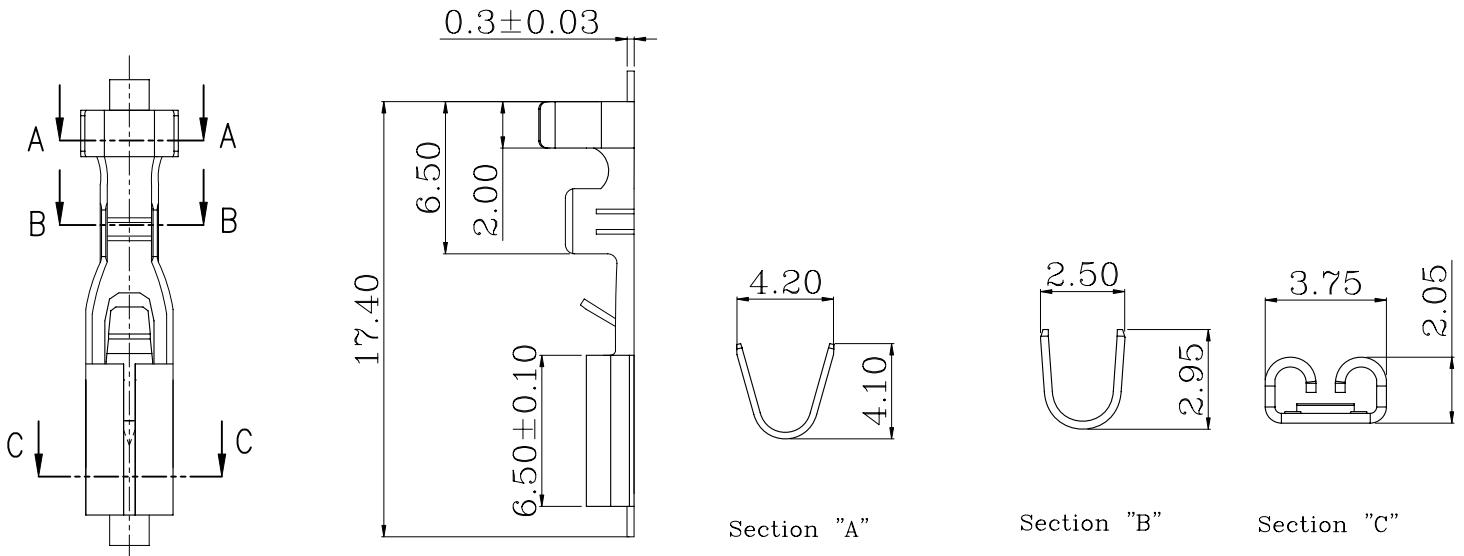


1737 Terminal board-In Connector

Ordering Information

Part No.	Material	Wire Range	Insulation O.D.	Plated	Q'ty/Reel	Remark
J1737BS-0	Brass	AWG#16~22	3.00mm max	Tin Plated	10000pcs	
J1737PS-0	Phosphor Bronze	AWG#16~22	3.00mm max	Tin Plated	10000pcs	

Tolerance:(unit:mm) . ± 0.25 / . ± 0.15 / . ± 0.10



1754 Terminal board-In Connector

Ordering Information

Part No.	Material	Wire Range	Insulation O.D.	Plated	Q'ty/Reel	Remark
J1754BS-0	Brass	AWG#18~24	2.80mm max	Tin Plated	10000pcs	
J1754PS-0	Phosphor Bronze	AWG#18~24	2.80mm max	Tin Plated	10000pcs	

Tolerance:(unit:mm) . ± 0.25 / . ± 0.15 / . ± 0.10

