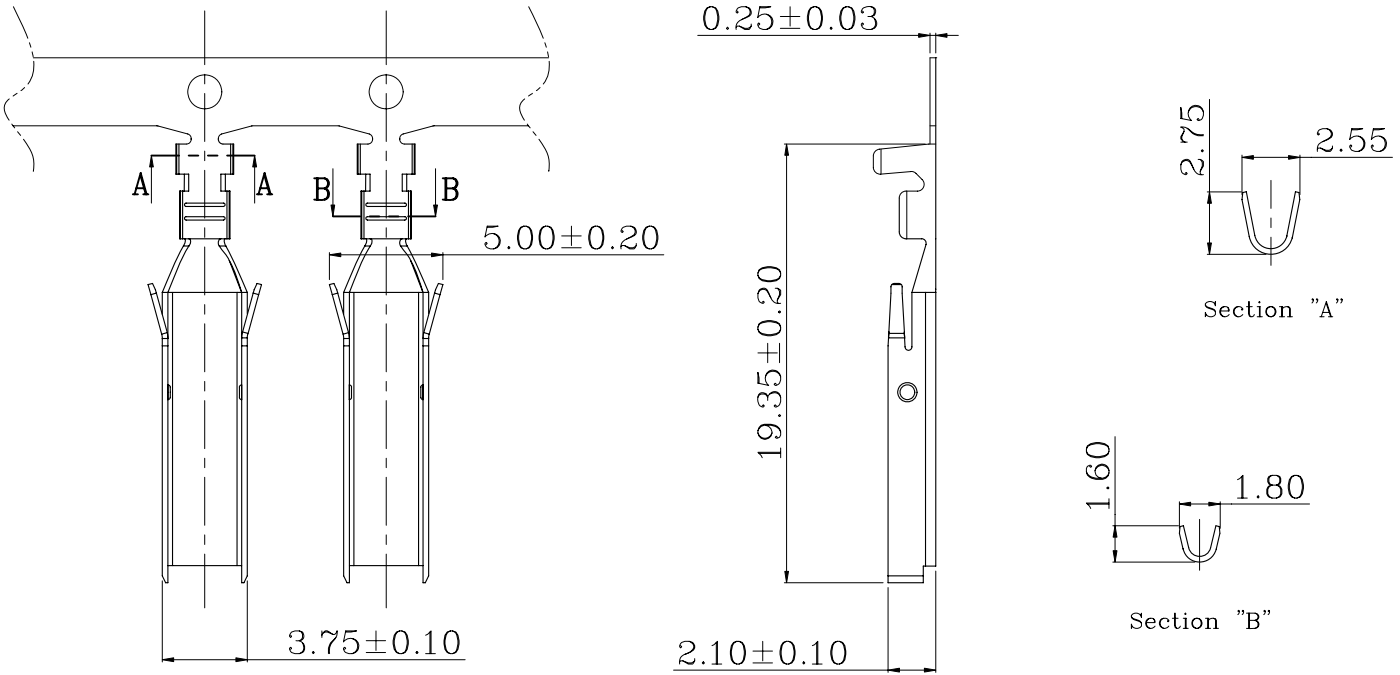




# 2300 Terminal board-In Connector

## Ordering Information

Part No.	Material	Wire Range	Insulation O.D.	Plated	Q'ty/Reel	Remark
J2300PS-8KDA-0	Phosphor Bronze	AWG#20~26	1.80mm max	Tin Plated	8000pcs	
Tolerance:(unit:mm)		.*±0.25 /.**±0.15 /.*.*±0.10				



# 2300 Series Connector

Tolerance:(unit:mm)

- \* ±0.25
- \*\* ±0.15
- \*\*\* ±0.10

Material:NYLON 66 UL 94V-2

Q'ty/Reel:500pcs

Part NO:JP2300-16100A-0

