

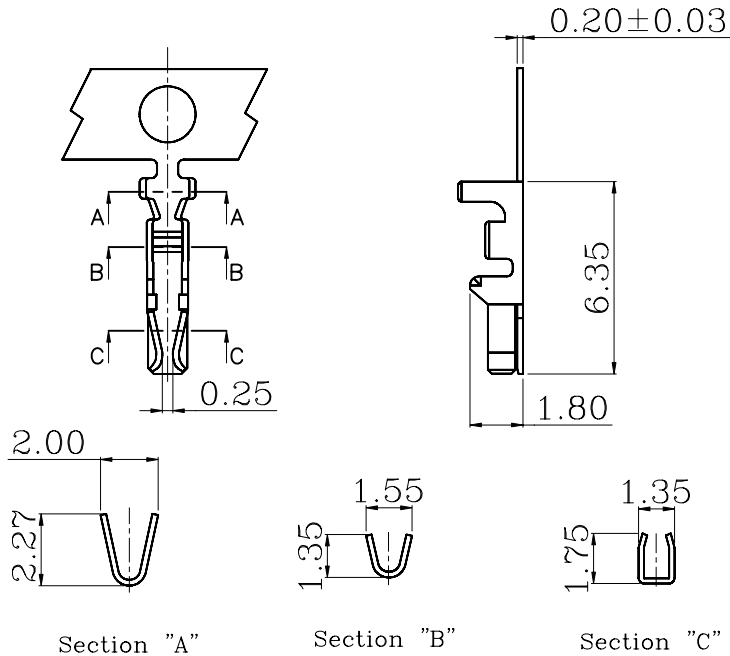


# 24181 Terminal board-In Connector

## Ordering Information

Part No.	Material	Wire Range	Insulation O.D.	Plated	Q'ty/Reel	Remark
J24181PS-200	Phosphor Bronze	AWG#22~28	1.60mm max	Tin Plated	15000pcs	

Tolerance:(unit:mm)      .<sup>\*</sup>±0.25 / .<sup>\*\*</sup>±0.15 / .<sup>\*\*\*</sup>±0.10



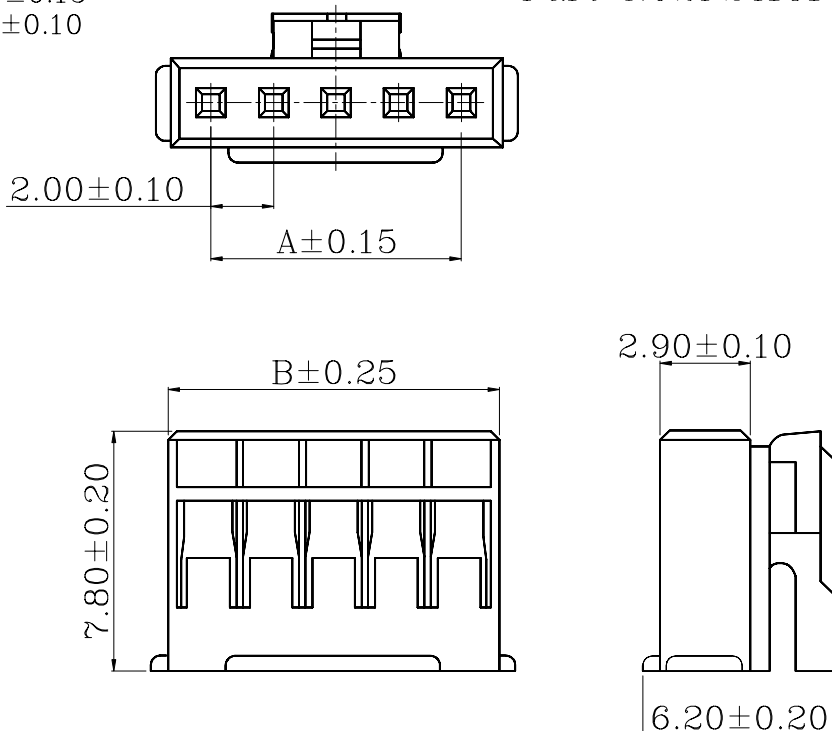
# 24181 Series Connector

Tolerance:(unit:mm)

Material:NYLON 66 UL 94V-2

- .<sup>\*</sup> ±0.25
- .<sup>\*\*</sup> ±0.15
- .<sup>\*\*\*</sup> ±0.10

Part NO:JP24181-1 \* 0 00



Part	Dimensions		Q'ty/Reel(pcs)
	A	B	
			1000PCS
2	2.00	4.60	1000PCS
3	4.00	6.60	1000PCS
4	6.00	8.60	1000PCS
5	8.00	10.60	1000PCS
6	10.00	12.60	1000PCS
7	12.00	14.60	1000PCS
8	14.00	16.60	500PCS
9	16.00	18.60	500PCS
10	18.00	20.60	500PCS
11	20.00	22.60	500PCS
12	22.00	24.60	500PCS
13	24.00	26.60	500PCS
14	26.00	28.60	500PCS
15	28.00	30.60	500PCS
16	30.00	32.60	500PCS