

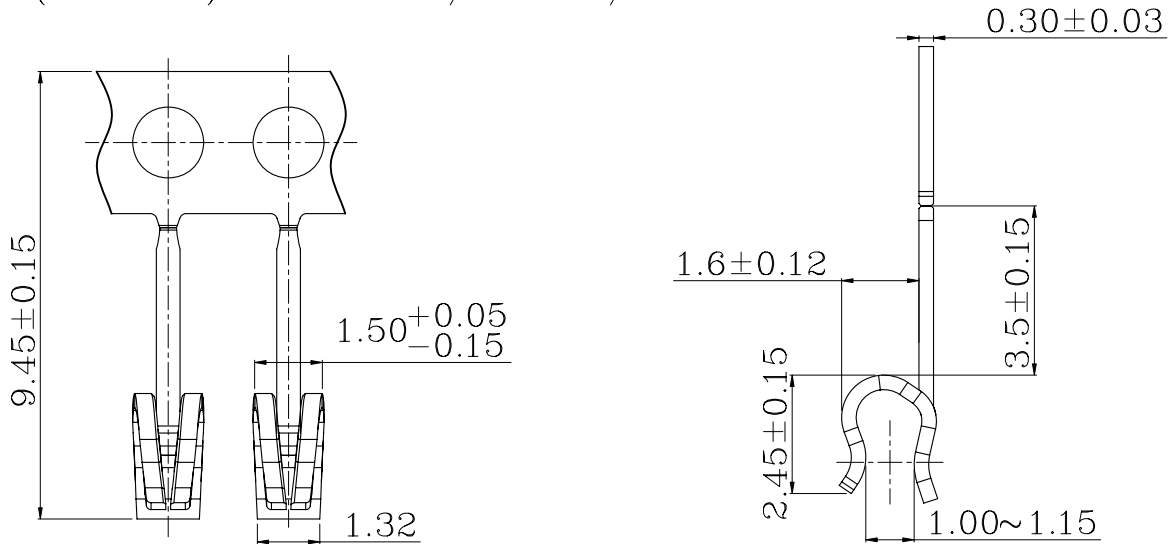


3100 Terminal Board-In Connector

Ordering Information

| Part No. | Material | Wire Range | Insulation O.D. | Plated | Q'ty/Reel | Remark |
|-------------|-----------------|------------|-----------------|------------|-----------|--------|
| J3100BS-300 | Brass | | | Tin Plated | 18000pcs | |
| J3100PS-300 | Phosphor Bronze | | | Tin Plated | 18000pcs | |

Tolerance:(unit:mm) . ± 0.25 / . ± 0.15 / . ± 0.10



PNY0045 Series Connector

Tolerance:(unit:mm)

Material:NYLON 66 UL 94V-2

. ± 0.25

Q'ty/Reel:1000pcs

. ± 0.15

. ± 0.10

Part NO:M-PNY0045-MIRROR

