



250 Series Connector

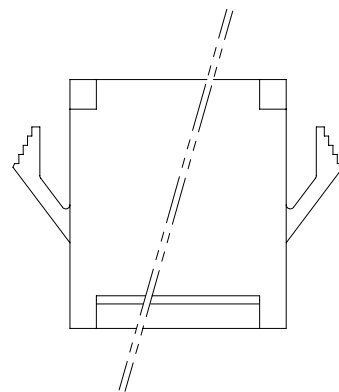
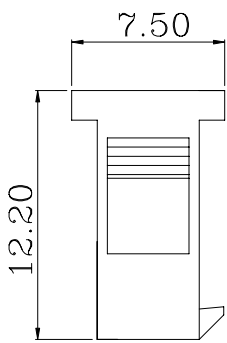
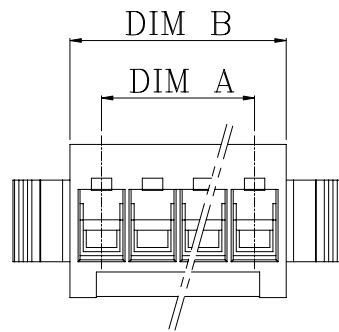
Tolerance:(unit:mm)

Material:NYLON 66 UL 94V-2 Black

- * ±0.25
- ** ±0.15
- *** ±0.10

Ordering Information:

Part No.	Dimensions		Q'ty/Reel (pcs)
	A	B	
JP250-12201	2.50	5.60	1000PCS
JP250-13201	5.00	8.10	1000PCS
JP250-14201	7.50	10.60	1000PCS
JP250-15201	10.00	13.10	1000PCS
JP250-16201	12.50	15.60	1000PCS
JP250-17201	15.00	18.10	1000PCS
JP250-18201	17.50	20.60	1000PCS



250 Series Connector

Tolerance:(unit:mm)

Material:NYLON 66 UL 94V-2 Black

- * ±0.25
- ** ±0.15
- *** ±0.10

Ordering Information:

Part No.	Dimensions		Q'ty/Reel (pcs)
	A	B	
JP250-12211	5.90	2.50	1000PCS
JP250-13211	8.40	5.00	1000PCS
JP250-14211	10.90	7.50	1000PCS
JP250-15211	13.40	10.00	1000PCS
JP250-16211	15.90	12.50	1000PCS
JP250-17211	18.40	15.00	1000PCS
JP250-18211	20.90	17.50	1000PCS

